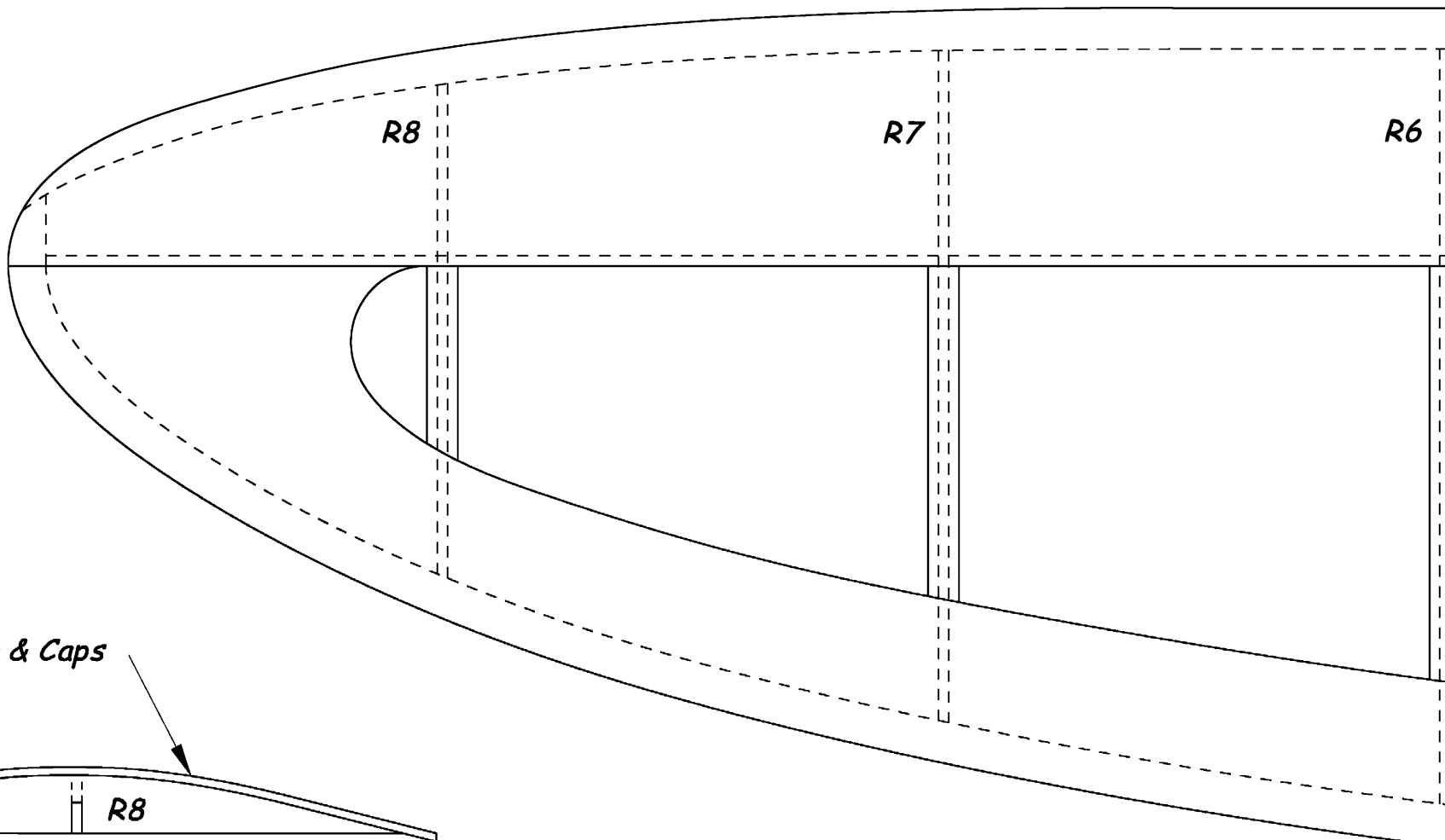


**BABY BOOMER**  
By SCOTT CHRISTENSEN  
4 -- 87

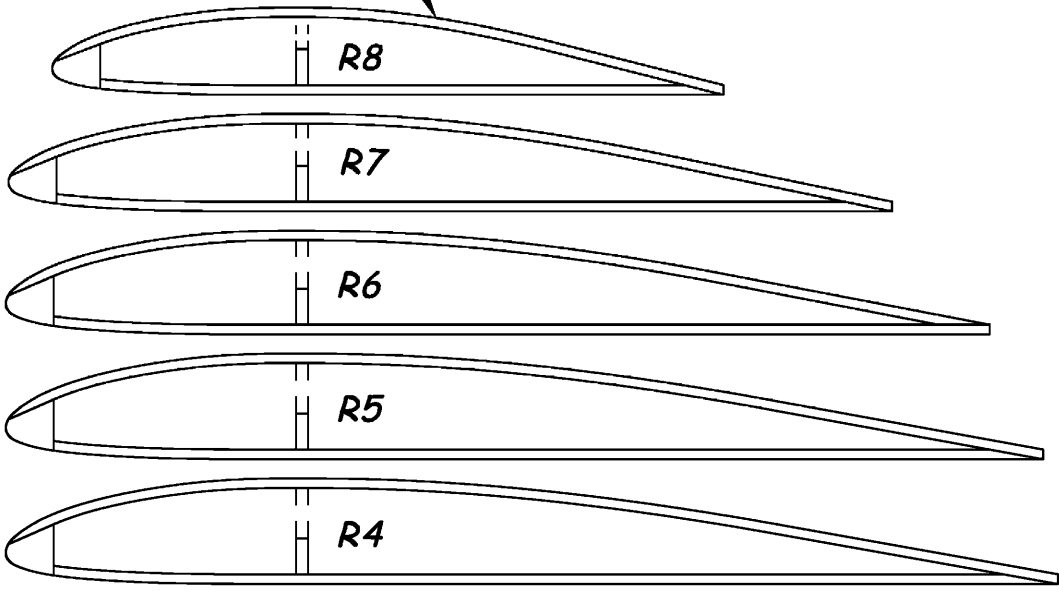
Cad By Gene Rock  
4-2010

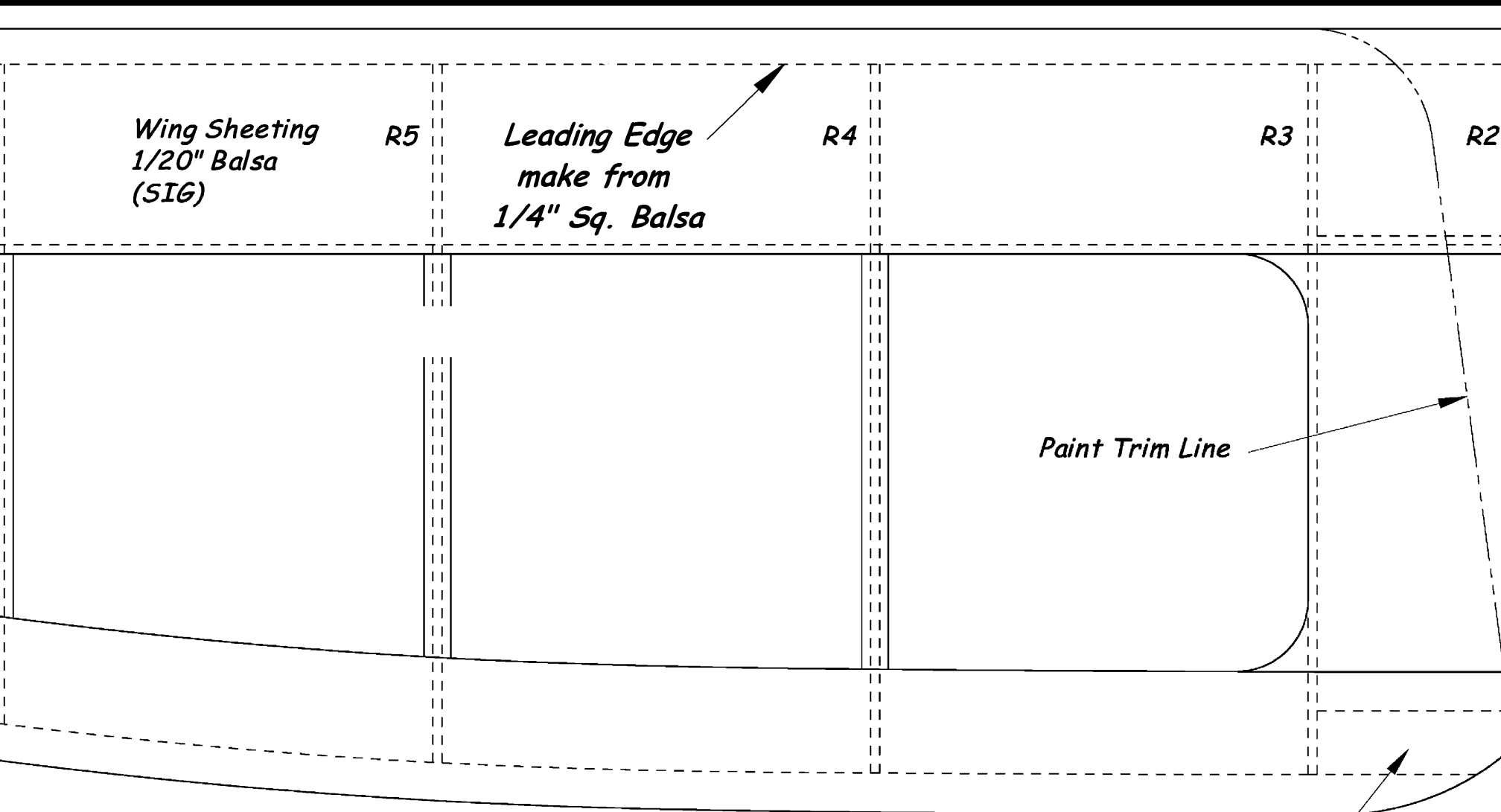
**SCALE IN INCHES**

0 1 2 3 4 5 6

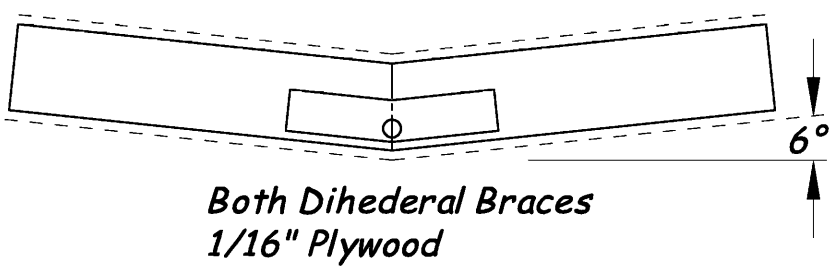


*1/20" Sheeting & Caps*

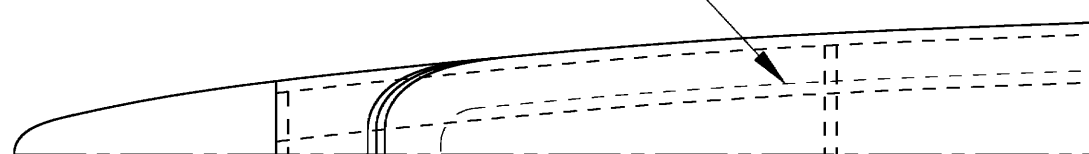




Balsa Filler



Suggested Fuselage  
Cutout

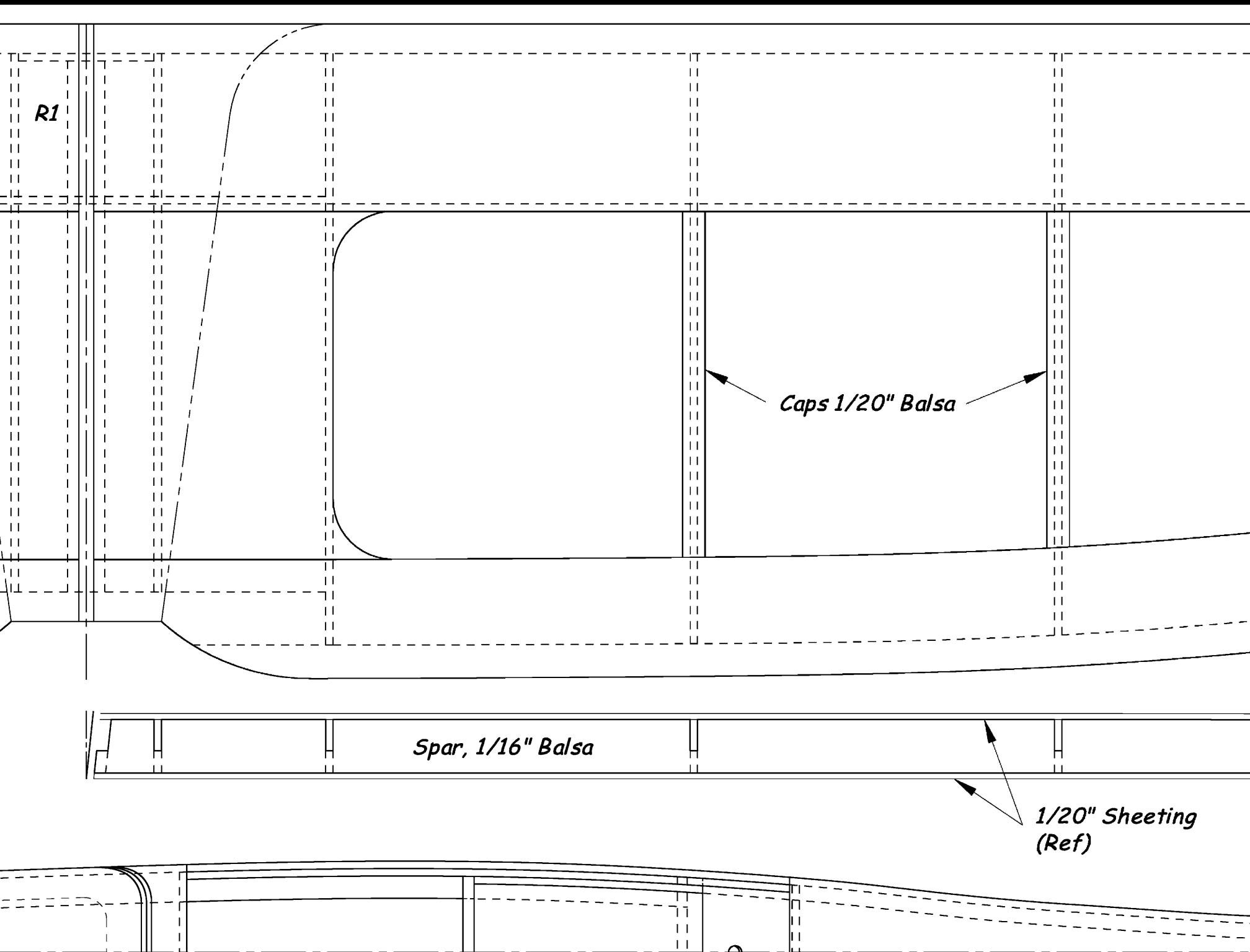


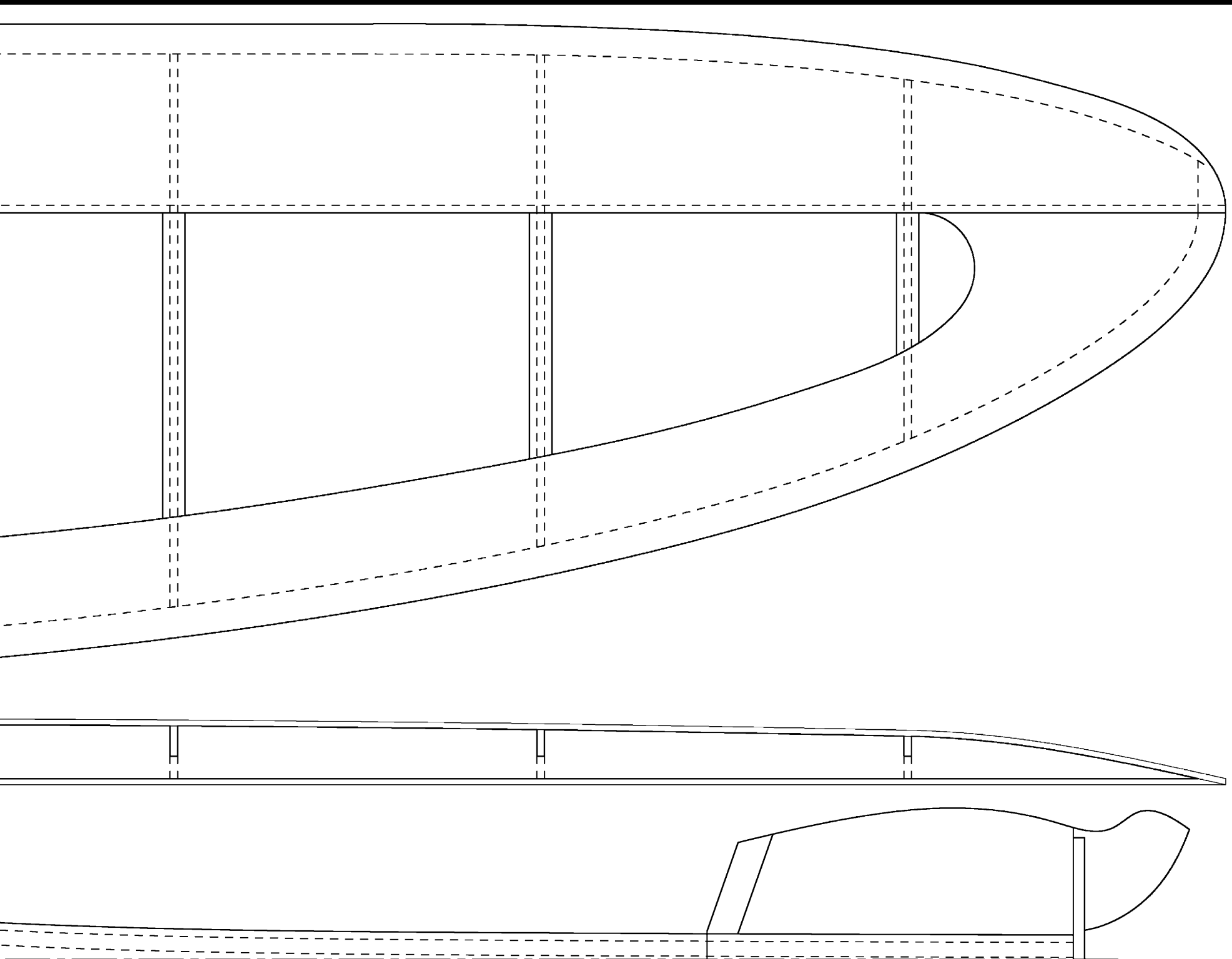
*R1*

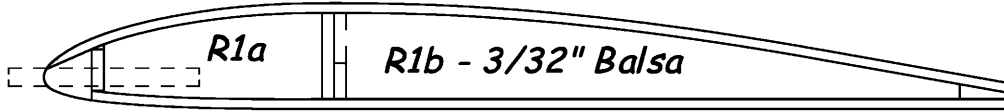
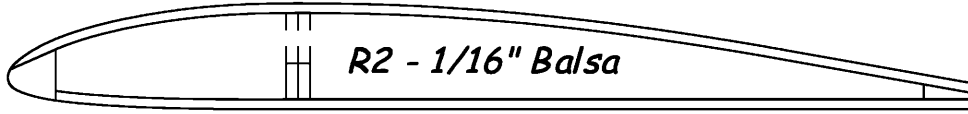
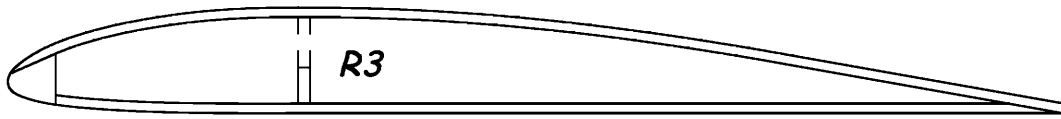
*Caps 1/20" Balsa*

*Spar, 1/16" Balsa*

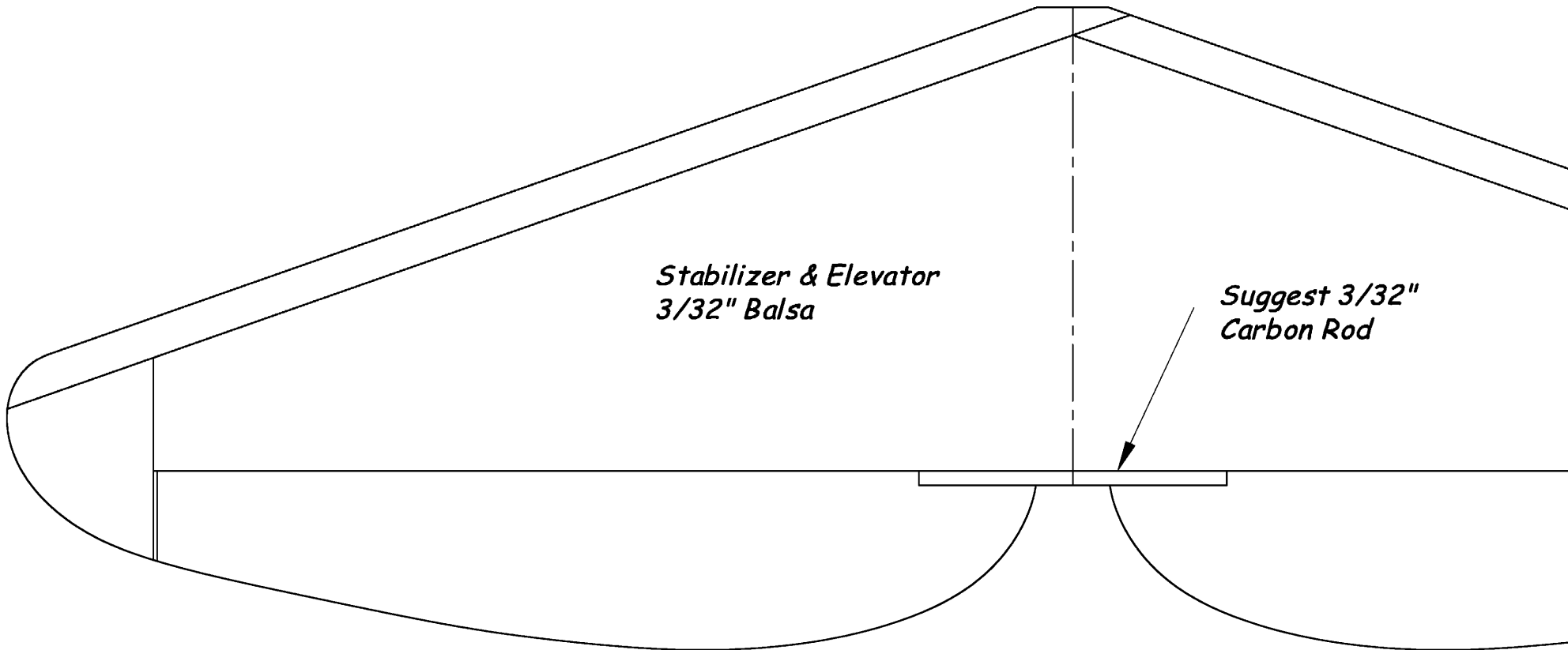
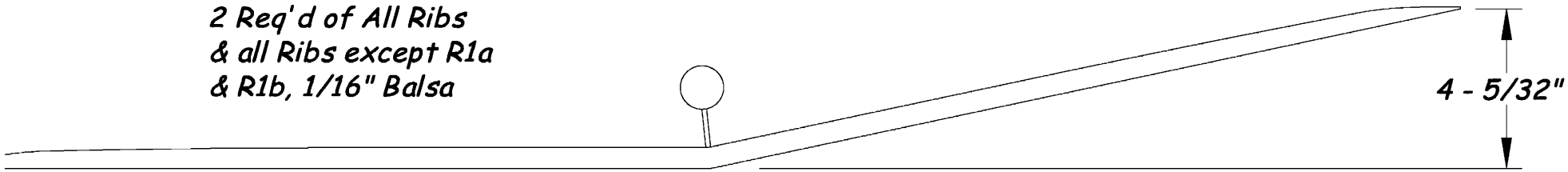
*1/20" Sheeting  
(Ref)*

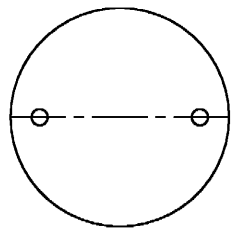
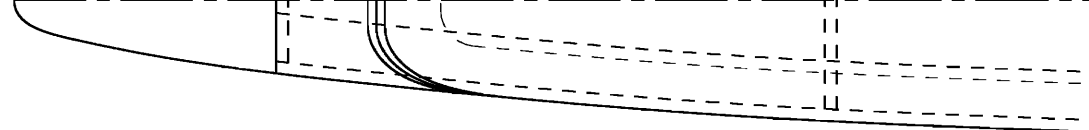
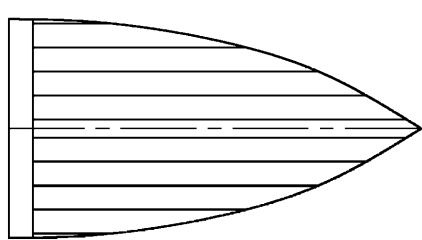




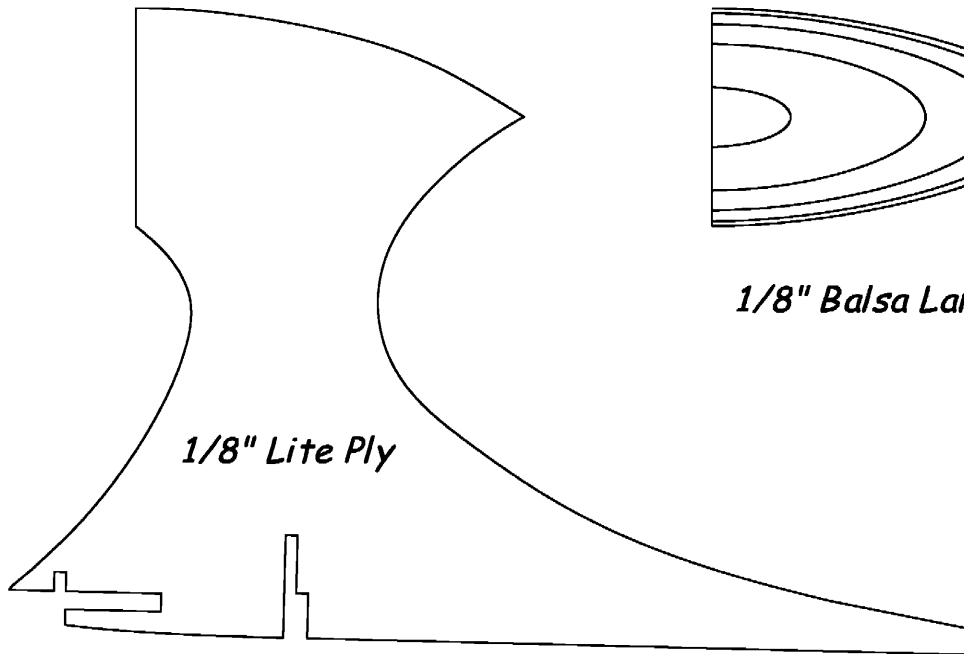


*2 Req'd of All Ribs  
& all Ribs except R1a  
& R1b, 1/16" Balsa*

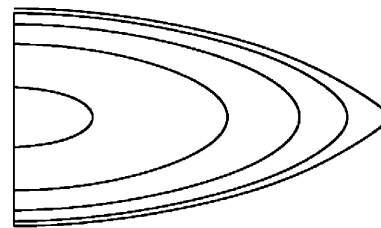




*1/8" Ply*



*1/8" Lite Ply*

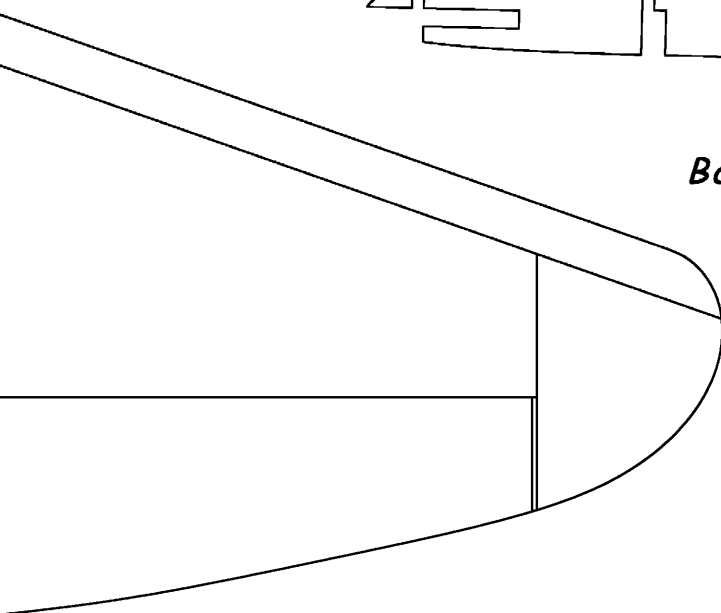


*1/8" Balsa Laminates*

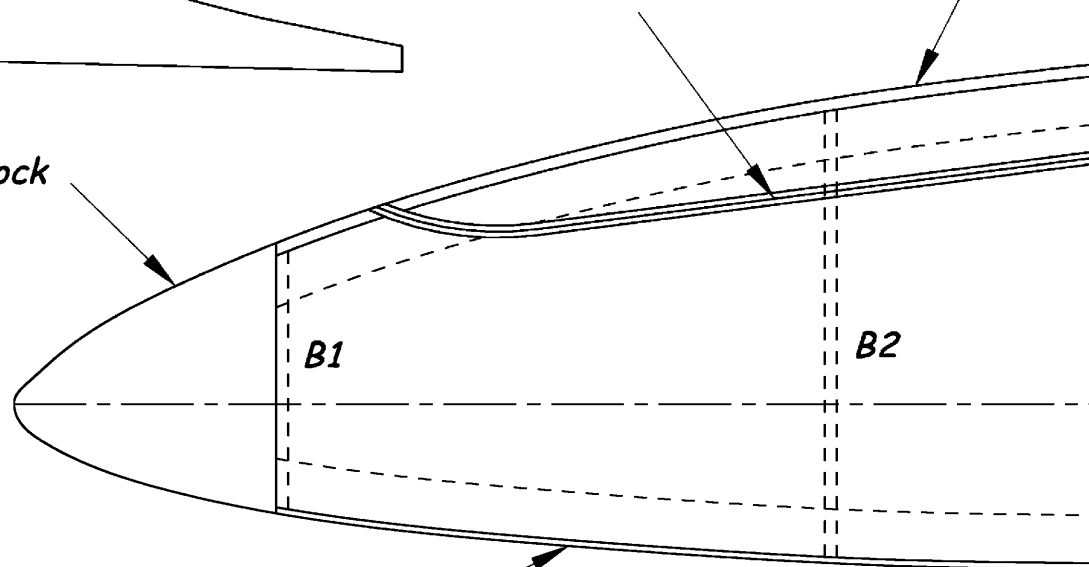
*Cox .010 TD Shown*

*Cut away Hatch before rounding Corners. Then Line Hatch and Fuselage with 1/32" Balsa.*

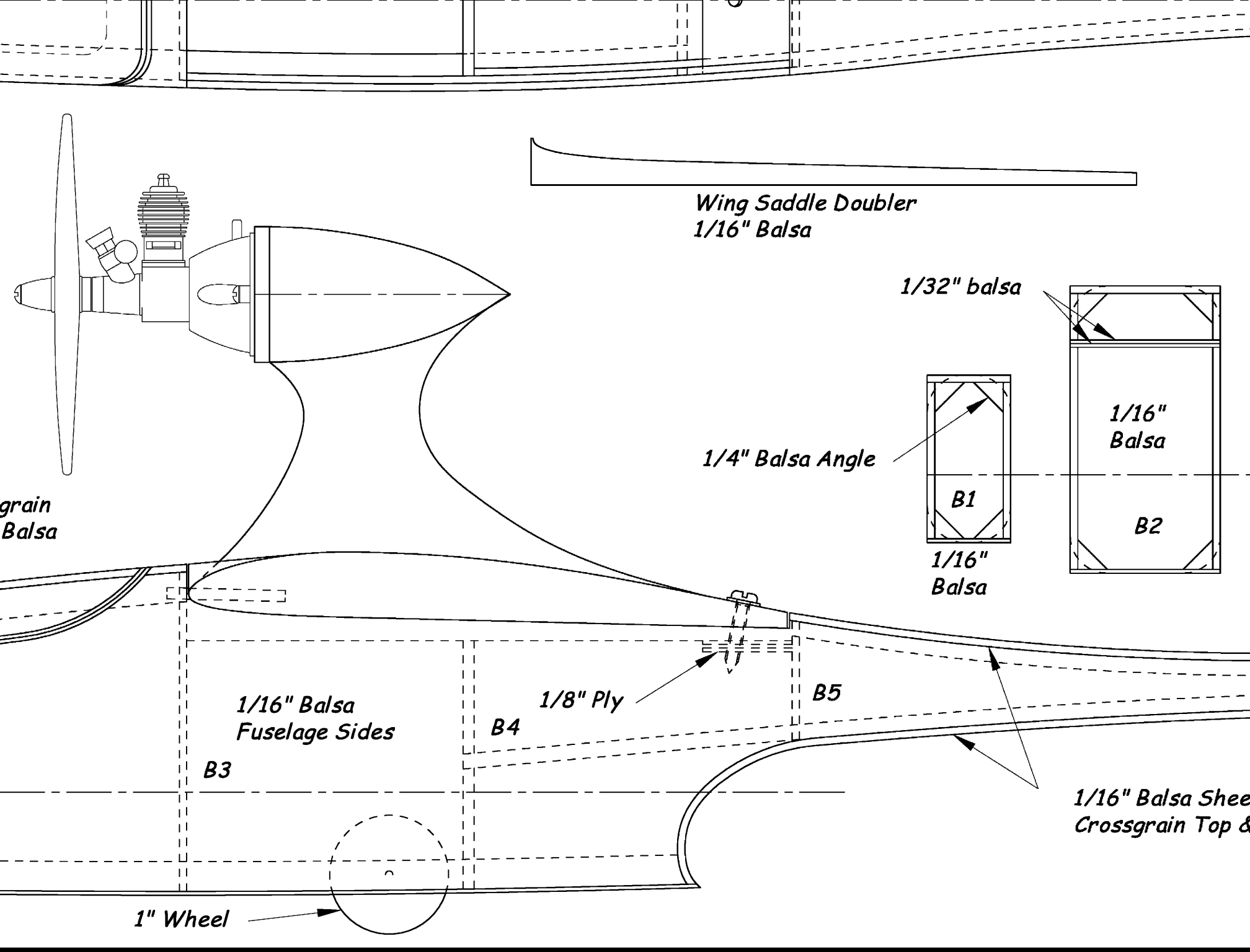
*Cross 1/16"*



*Balsa Nose Block*



*1/32" Plywood*



Wing Saddle Doubler  
1/16" Balsa

1/32" balsa

1/16" Balsa

1/4" Balsa Angle

B1

B2

1/16" Balsa

1/16" Balsa  
Fuselage Sides

1/8" Ply

B5

B4

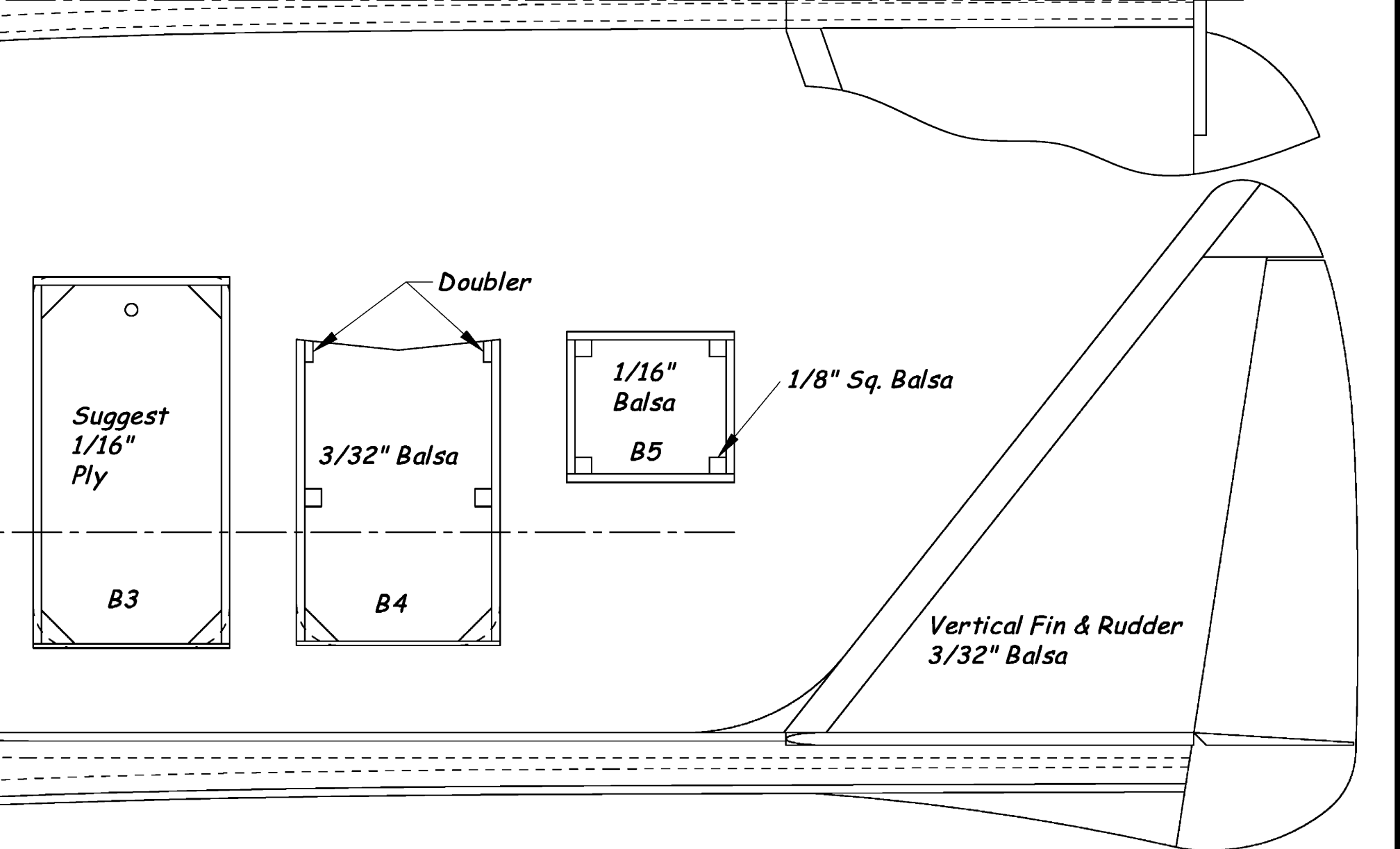
1/16" Balsa Shear  
Crossgrain Top & Bottom

B3

1" Wheel

grain  
Balsa





ating  
Bottom

**BABY BOOMER**  
By **SCOTT CHRISTENSEN**  
4 -- 87

Cad by *Gene Rock*  
4--2010

**SCALE IN INCHES**

