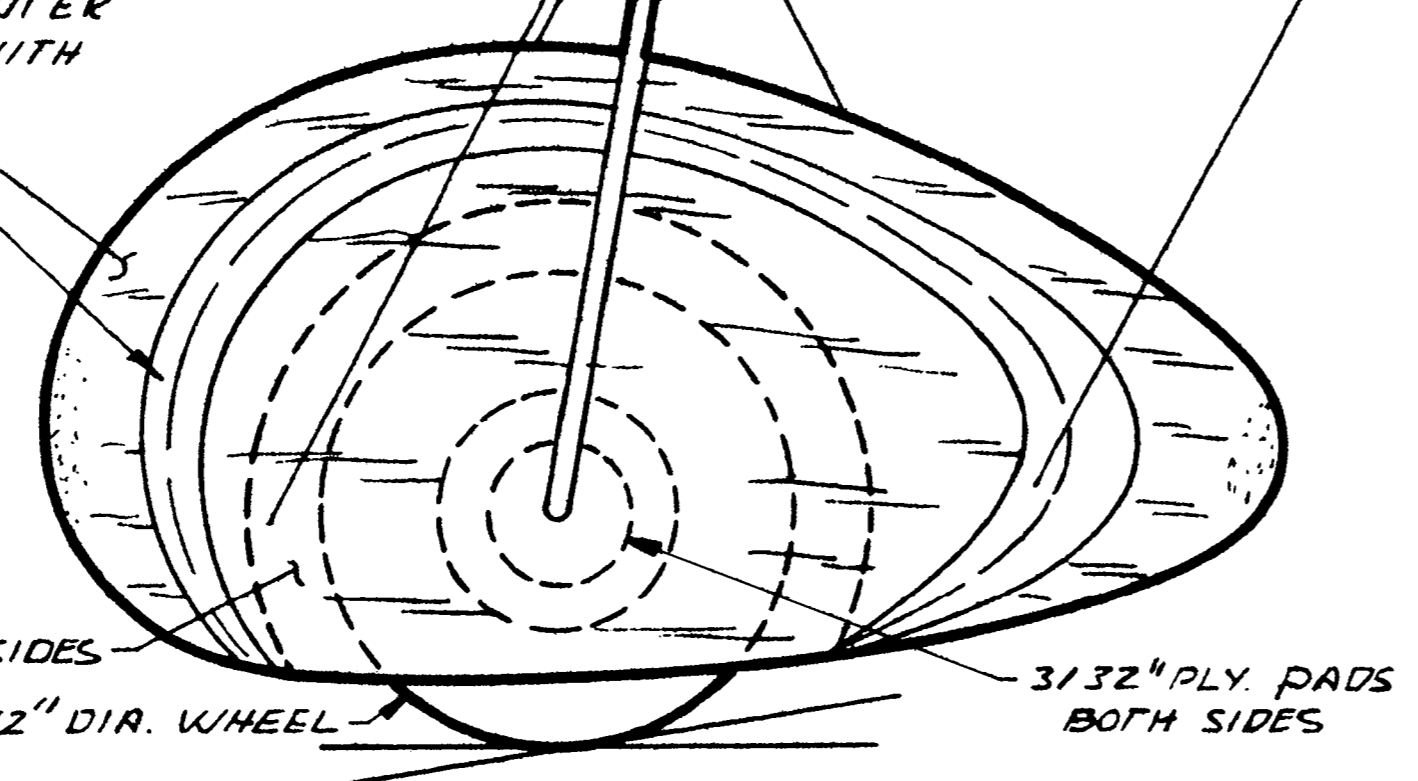
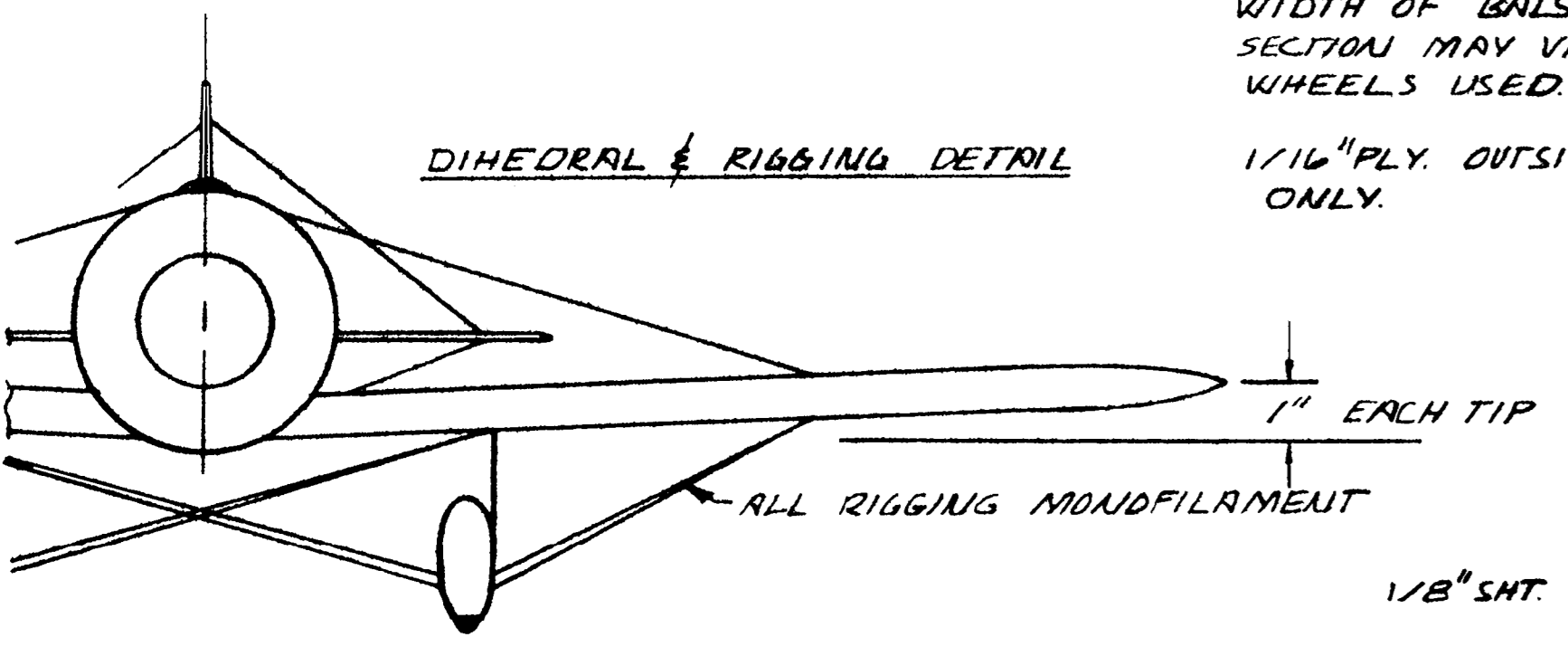
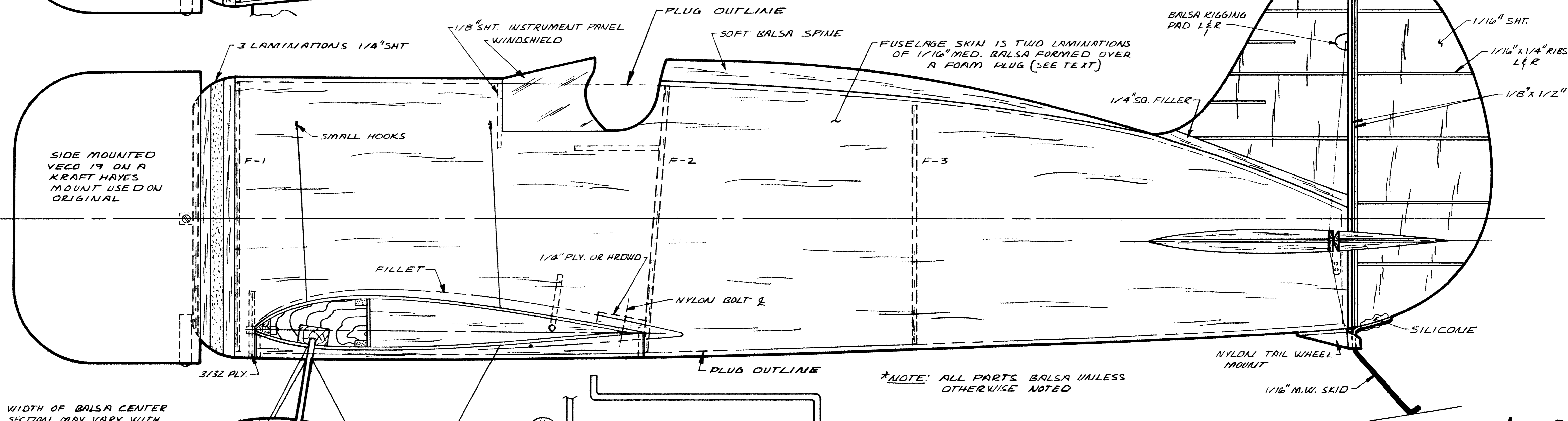
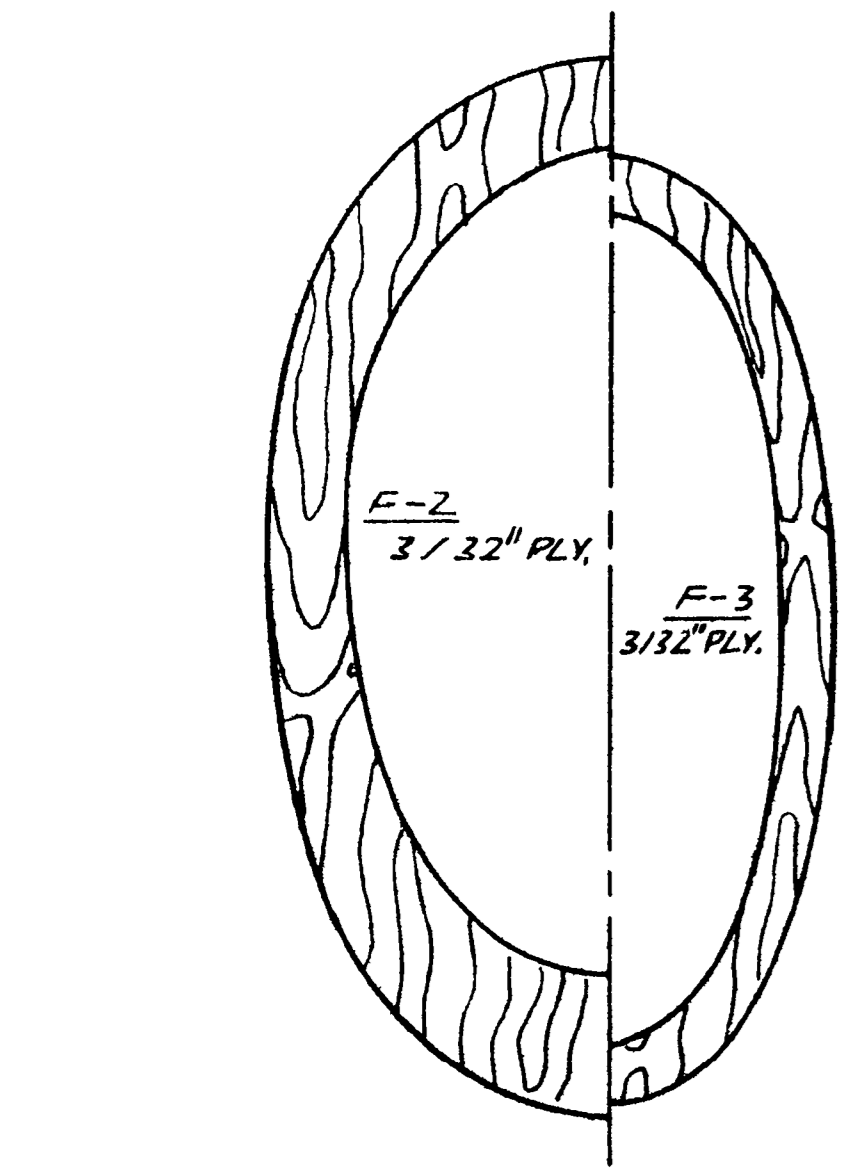


\*NOTE: ALL BULKHEADS ARE APPROXIMATE



# TRAVEL AIR 'R'

DESIGNED & DRAWN BY: DALE SEBRING  
 TRACED FOR M.B. BY S.A. PATTERSON

SPECS.	
SPAN	47 IN.
AREA	315 SQ. IN.
LENGTH	30.5 IN.
POWER	.19

**MODEL BUILDER** magazine  
 621 W. NIJUESENTH ST.  
 COSTA MESA, CALIF. 92627  
 Plan No: 11761