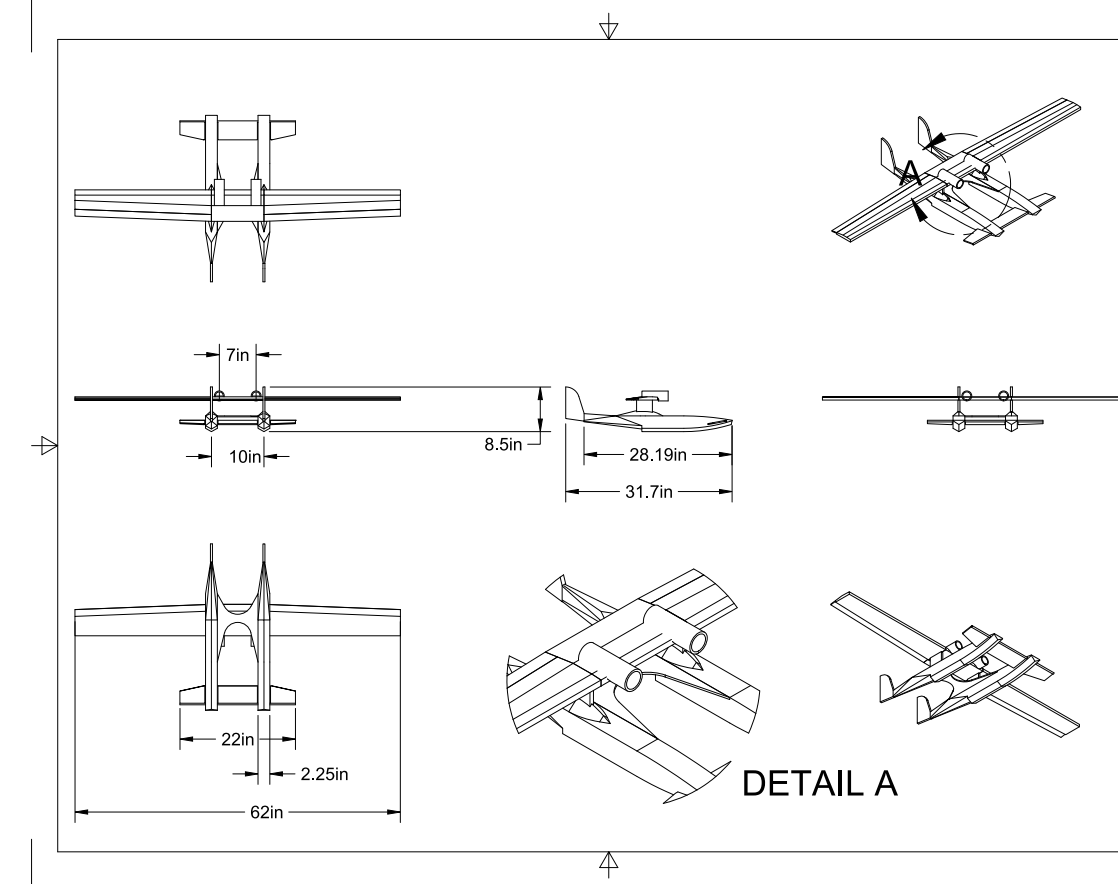


Remove one side of paper in gray areas  
Reinforce pylons, otherwise the wing rips off  
Needs 6-8mm OD carbon spar along the whole wing  
Needs 6-8mm OD carbon canard shaft/spar (it's an axle)



Dotted areas are prop wash spoilers- they compensate for a high thrust line and are essential. Bend up 45 degrees and glue in place.

