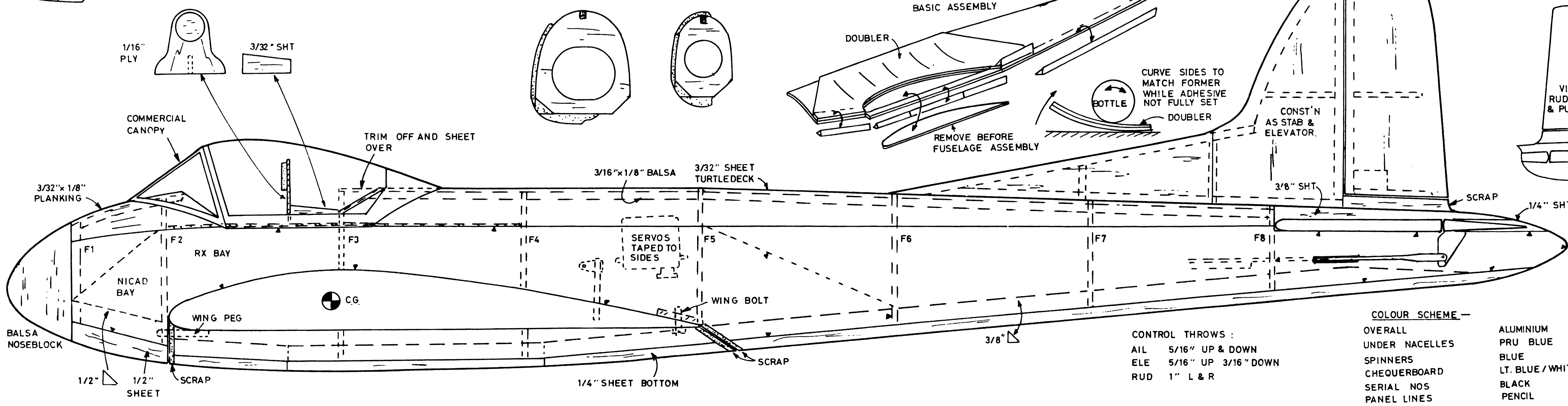
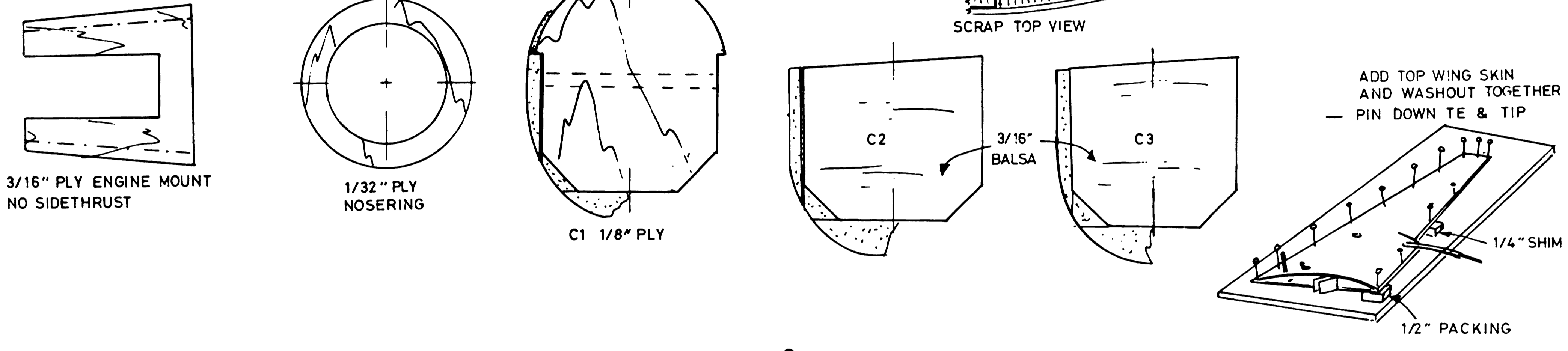
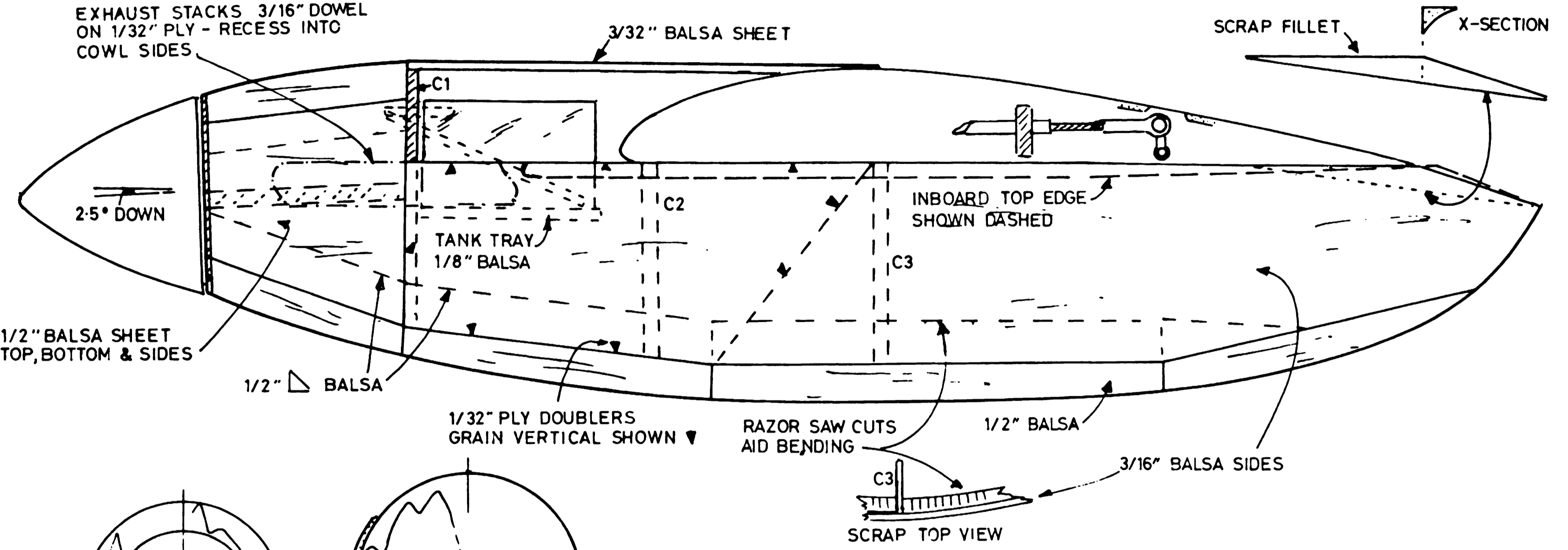
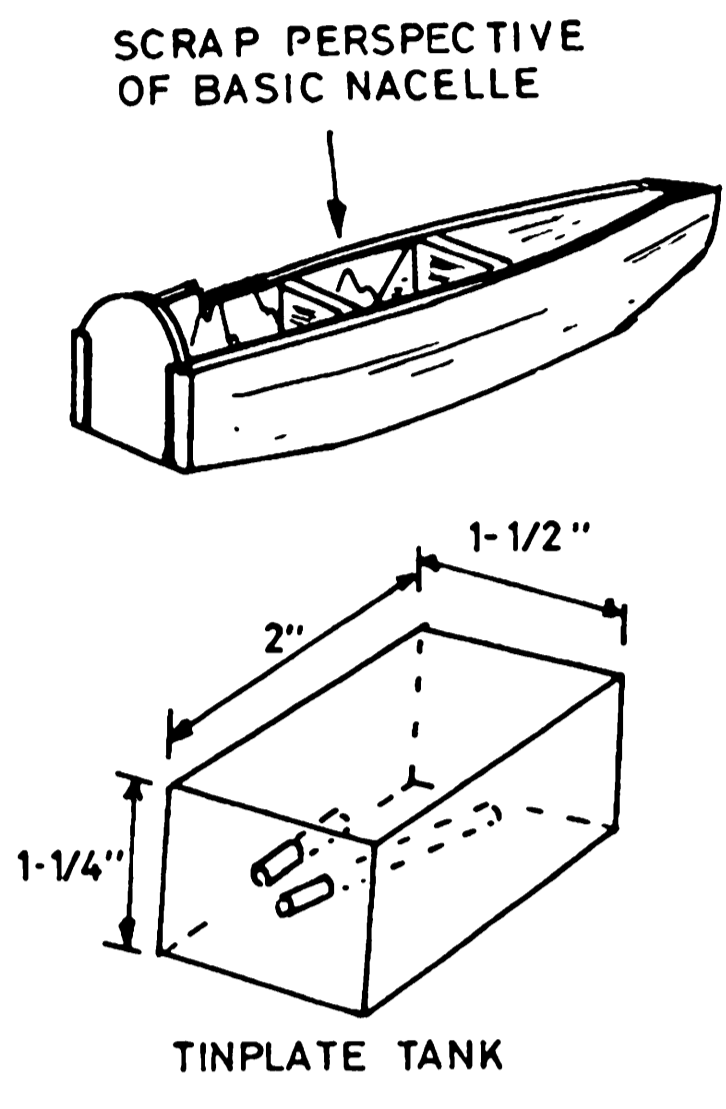
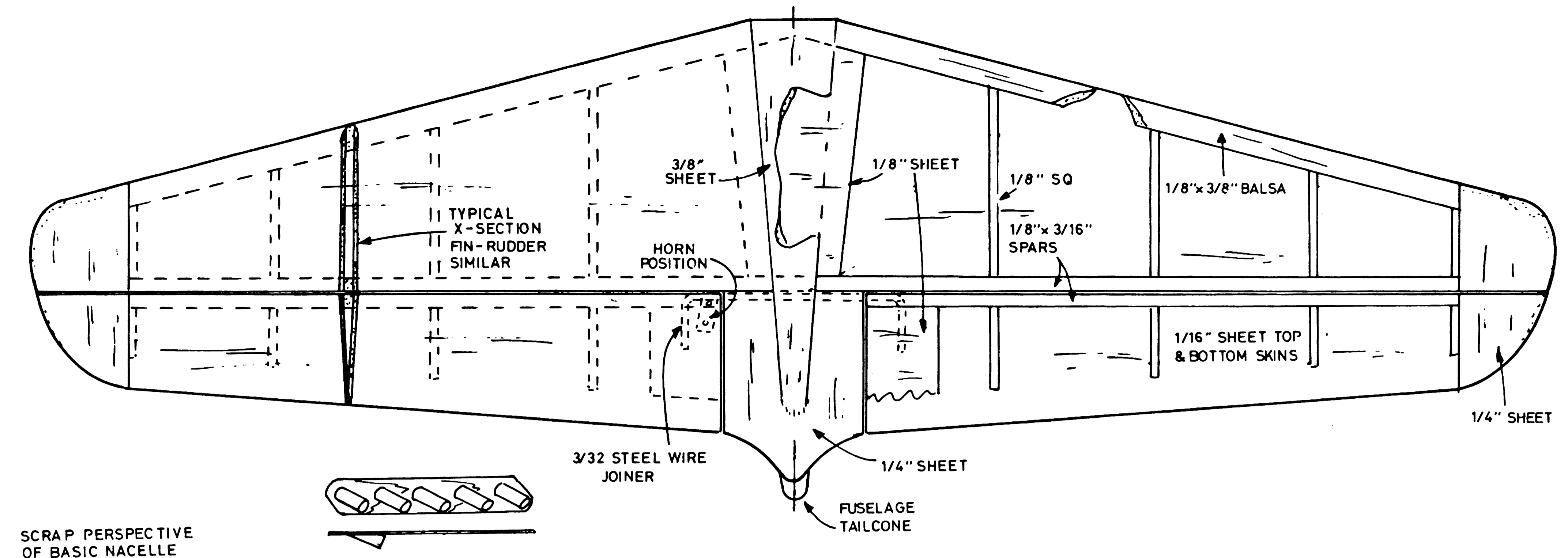
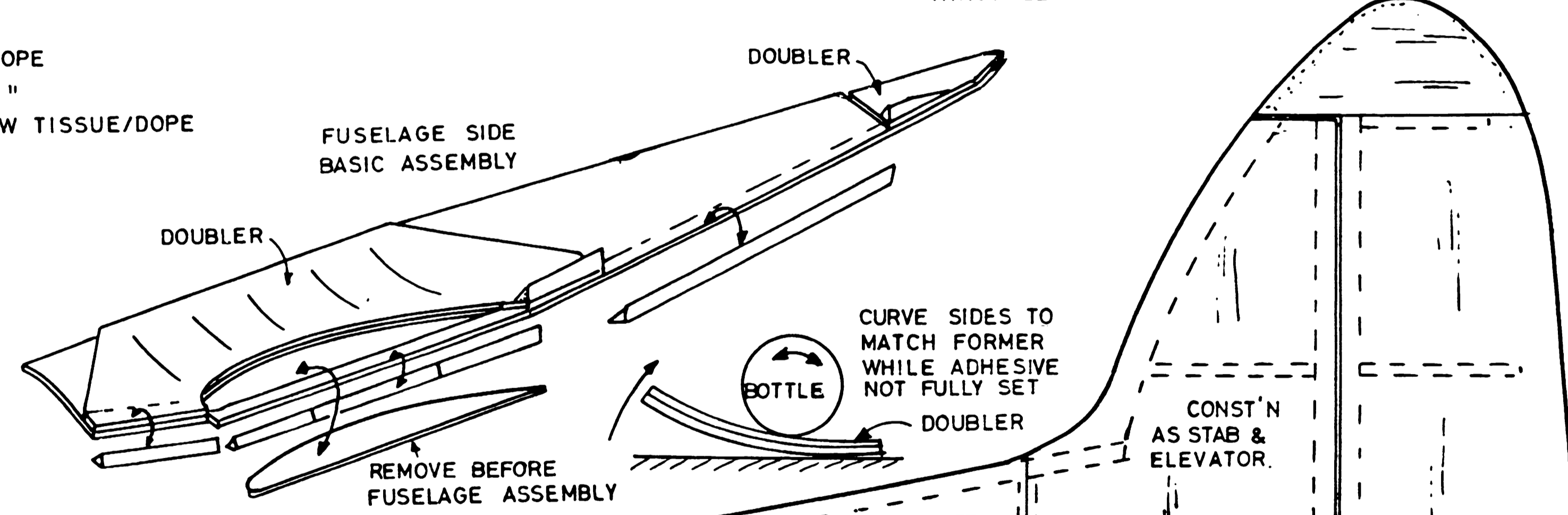
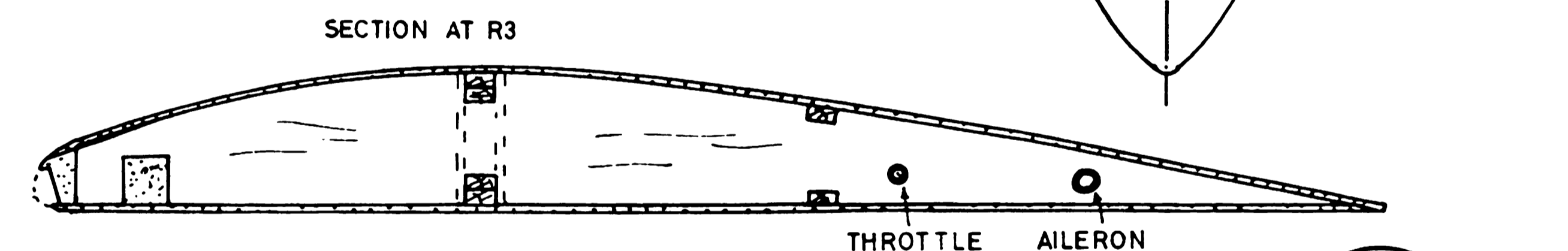


ENGINES : OS 10 FSR
 PROPS : GRAUPNER 7x6
 WEIGHT : 60 oz

COVERING :
 WINGS NYLON / DOPE
 NACELLES " "
 FUSLAGE / TAIL : HW TISSUE / DOPE



CONTROL THROWS :
 AIL 5/16" UP & DOWN
 ELE 5/16" UP 3/16" DOWN
 RUD 1" L & R

COLOUR SCHEME -
 OVERALL UNDER NACELLES PRU BLUE
 SPINNERS BLUE
 CHEQUERBOARD LT. BLUE / WHITE
 SERIAL NOS BLACK
 PANEL LINES PENCIL
 ROUNDELS - NARROW WHITE RING STYLE
 FUSLAGE ROUNDEL HAS NARROW YELLOW BORDER
 NO UNDERWING ROUNDELS

